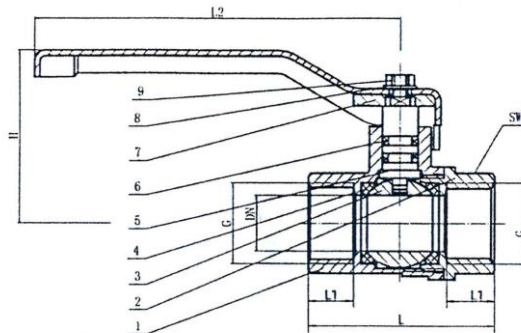


Extremely economical standard ball valves made of nickel-plated brass for compressed air, water, non-toxic and non-corrosive gases and liquids.

Housing	Nickel-plated brass
Ball	Nickel-plated brass
Ball seal	PTFE
Stem seal	NBR
Lever handle	Steel Q235-A (1.0038) with PVC-coating
Operating temperature	-20 °C to 100 °C
Operating pressure max.	25 bar
Standard thread	G-thread acc. to DIN EN ISO 228-1



334.06-E

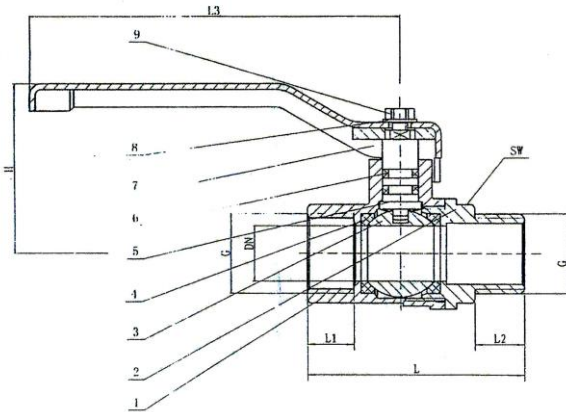


Brass ball valves, female/female thread

Art. No.	Type No.	Thread	DN	L mm	L1 mm	L2 mm	H mm	C ø mm	a/f mm
115711	334.02-E	G 1/4	8	40.0	10.0	75.0	38.0	8.0	19
115712	334.03-E	G 3/8	10	40.0	9.0	75.0	37.0	10.0	19
115713	334.04-E	G 1/2	15	50.0	12.0	98.0	45.0	14.5	24
115714	334.05-E	G 3/4	20	55.0	12.0	98.0	49.0	19.0	30
115715	334.06-E	G 1	25	63.0	13.0	118.0	55.0	24.0	37
115716	334.07-E	G 1 1/4	32	73.0	15.0	118.0	58.0	30.0	46
115717	334.08-E	G 1 1/2	40	83.0	16.0	138.0	71.0	37.0	53
115718	334.09-E	G 2	50	99.0	19.0	160.0	79.0	45.0	65



335.06-E



Brass ball valves, female/male thread

Art. No.	Type No.	Thread	DN	L mm	L1 mm	L2 mm	L3 mm	H mm	C ϕ mm	a/f mm
115719	335.02-E	G 1/4	8	40.0	10.0	10.0	75.0	37.0	8.0	19
115720	335.03-E	G 3/8	10	40.0	9.0	9.0	75.0	37.0	10.0	19
115721	335.04-E	G 1/2	15	50.0	12.0	13.0	98.0	45.0	14.5	24
115722	335.05-E	G 3/4	20	65.0	12.0	14.0	98.0	49.0	19.0	30
115723	335.06-E	G 1	25	74.0	13.0	17.0	118.0	55.0	24.0	37
115724	335.07-E	G 1 1/4	32	83.0	15.0	15.0	118.0	58.0	30.0	46
115725	335.08-E	G 1 1/2	40	98.0	16.0	17.0	138.0	71.0	37.0	53
115726	335.09-E	G 2	50	111.0	19.0	20.5	160.0	79.0	45.0	65

Pressure / temperature diagramm

